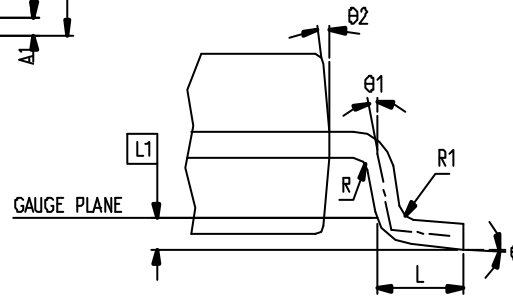
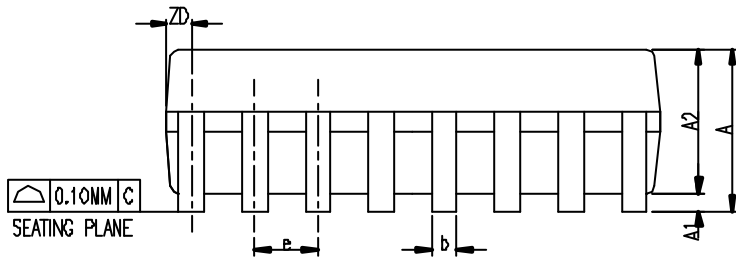
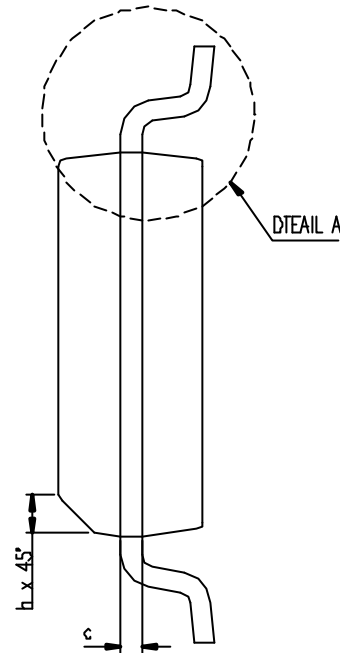
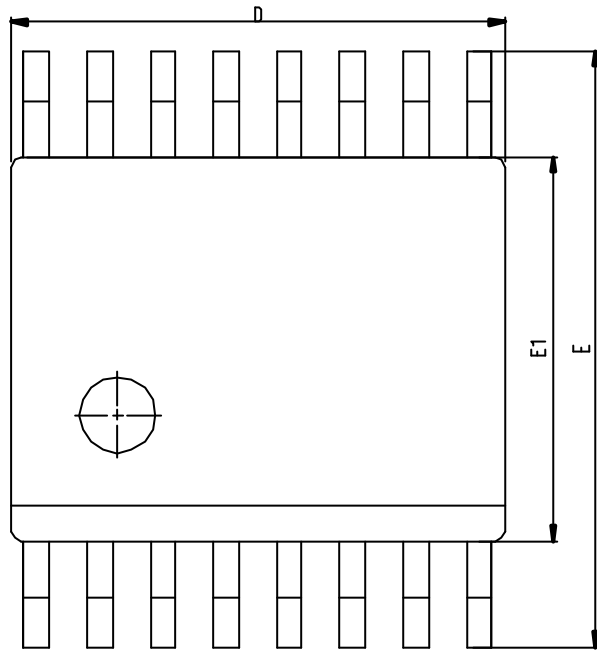


| REV. | DESCRIPTION | BY | DATE |
|-------|-----------------------------------|------------|----------|
| ORIG. | DRAWING ISSUE | SANDY CHEN | 98.01.16 |
| A. | SSO CHANGE TO QSO/SSO | SANDY CHEN | 98.08.12 |
| B. | ADD NOTES | SANDY CHEN | 00.01.20 |
| C. | DIMENSION IN MM CHANGE TO IN INCH | SANDY CHEN | 01.01.15 |



▲ *NOTES · DIMENSION D DOES NOT INCLUDE MOLD PROTRUSIONS OR GATE BURRS.
 MOLD PROTRUSIONS AND GATE BURRS SHALL NOT EXCEED 0.006 INCH PER SIDE.

DETAIL A

| SYMBOL | DIMENSION IN MM | | | DIMENSION IN INCH | | |
|--------|-----------------|-------|------|-------------------|-------|-------|
| | MIN. | NOM | MAX. | MIN | NOM | MAX |
| A | 1.35 | 1.63 | 1.75 | 0.053 | 0.064 | 0.069 |
| A1 | 0.10 | 0.15 | 0.25 | 0.004 | 0.006 | 0.010 |
| A2 | | | 1.50 | | | 0.059 |
| b | 0.20 | | 0.30 | 0.008 | | 0.012 |
| c | 0.18 | | 0.25 | 0.007 | | 0.010 |
| e | 0.635 BASIC | | | 0.025 BASIC | | |
| D | 4.80 | 4.90 | 5.00 | 0.189 | 0.193 | 0.197 |
| E | 5.79 | 5.99 | 6.20 | 0.228 | 0.236 | 0.244 |
| E1 | 3.81 | 3.91 | 3.99 | 0.150 | 0.154 | 0.157 |
| L | 0.41 | 0.635 | 1.27 | 0.016 | 0.025 | 0.050 |
| h | 0.25 | | 0.50 | 0.010 | | 0.020 |
| L1 | 0.254 BASIC | | | 0.010 BASIC | | |
| ZD | 0.229 REF | | | 0.009 REF | | |
| R1 | 0.20 | | 0.33 | 0.008 | | 0.013 |
| R | 0.20 | | | 0.008 | | |
| θ | 0° | | 8° | 0° | | 8° |
| θ1 | 0° | | | 0° | | |
| θ2 | 5° | 10° | 15° | 5° | 10° | 15° |
| JEDEC | MO-137 (AB) | | | | | |